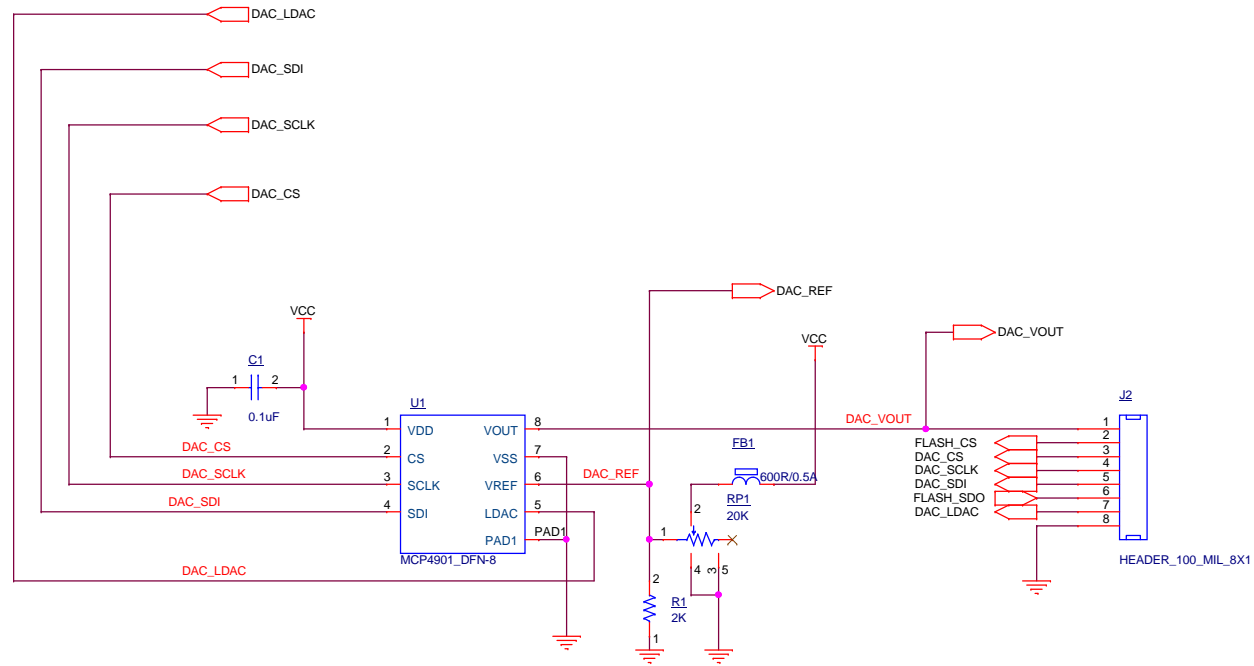
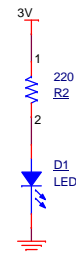
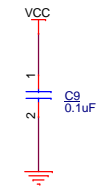
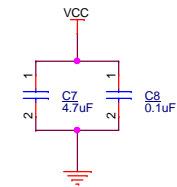
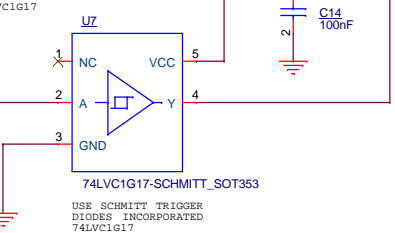
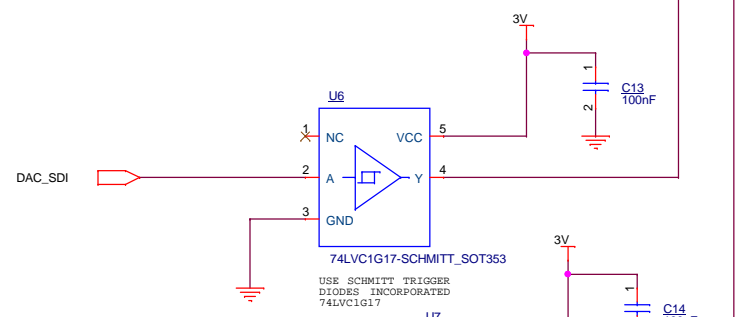
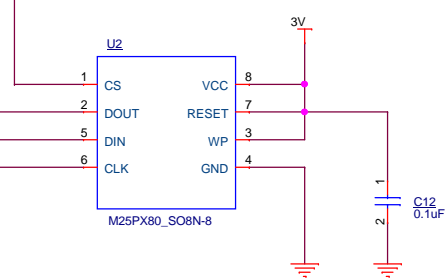
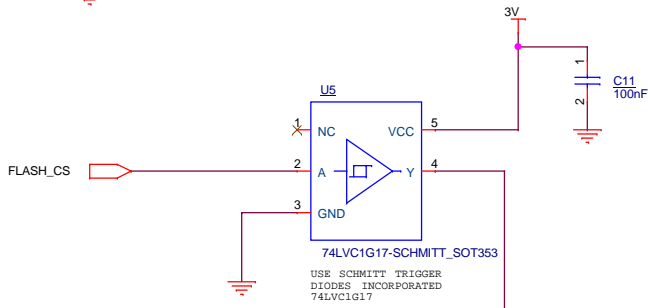
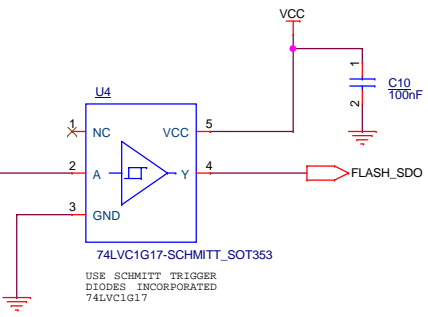
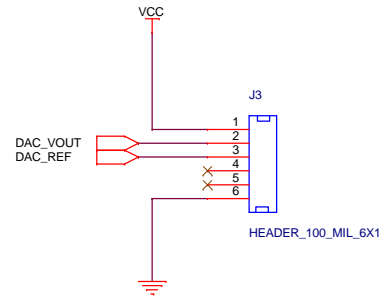
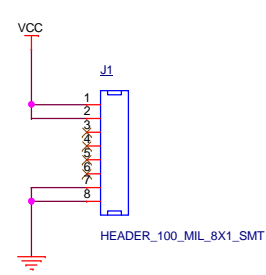
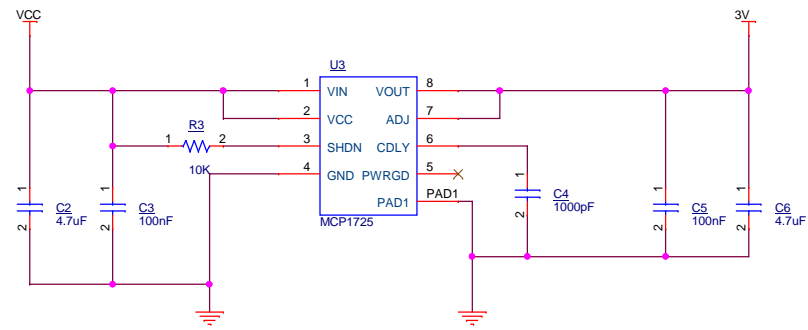


3V LDO 0.500mA



Title			FT220XA MODULE		
Size	Document	Number	Rev		
C	FT220XA-MM-D1		2		
Date:	Wednesday, July 08, 2015	Sheet	1	of	1